



# 北京市方寸电子有限公司

BEIJING FINE CHAIN ELECTRONIC CO. LTD.

## FC200W(DC-DC)



- High reliability
- Built-in EMI filter
- 100% full load burn-in test
- Protections: overload/ short circuit
- 1 year warranty

DC input voltage .....	24VDC, 48VDC, 110VDC
Line regulation (full load) .....	$\leq \pm 0.5\%$
Output voltage adjust range .....	$\pm 10\%$
Output over current protection .....	105~150%
Withstand voltage .....	I/P -O/P: 1.0KVDC/1min I/P -F/G: 1.0KVDC/1min O/P-F/G: 0.5KVDC/1min
Isolation resistance .....	$> 100M\Omega @ 500VDC$
Operating temp. & humidity .....	-10°C~+50°C, 20%~90%RH (non condensing)
Storage temp. & humidity .....	-20°C~+85°C, 20%~95%RH (non condensing)
Safety standards .....	design refer to LVD
EMC standards .....	design refer to EN55022, EN61000-4
Cooling method .....	convection

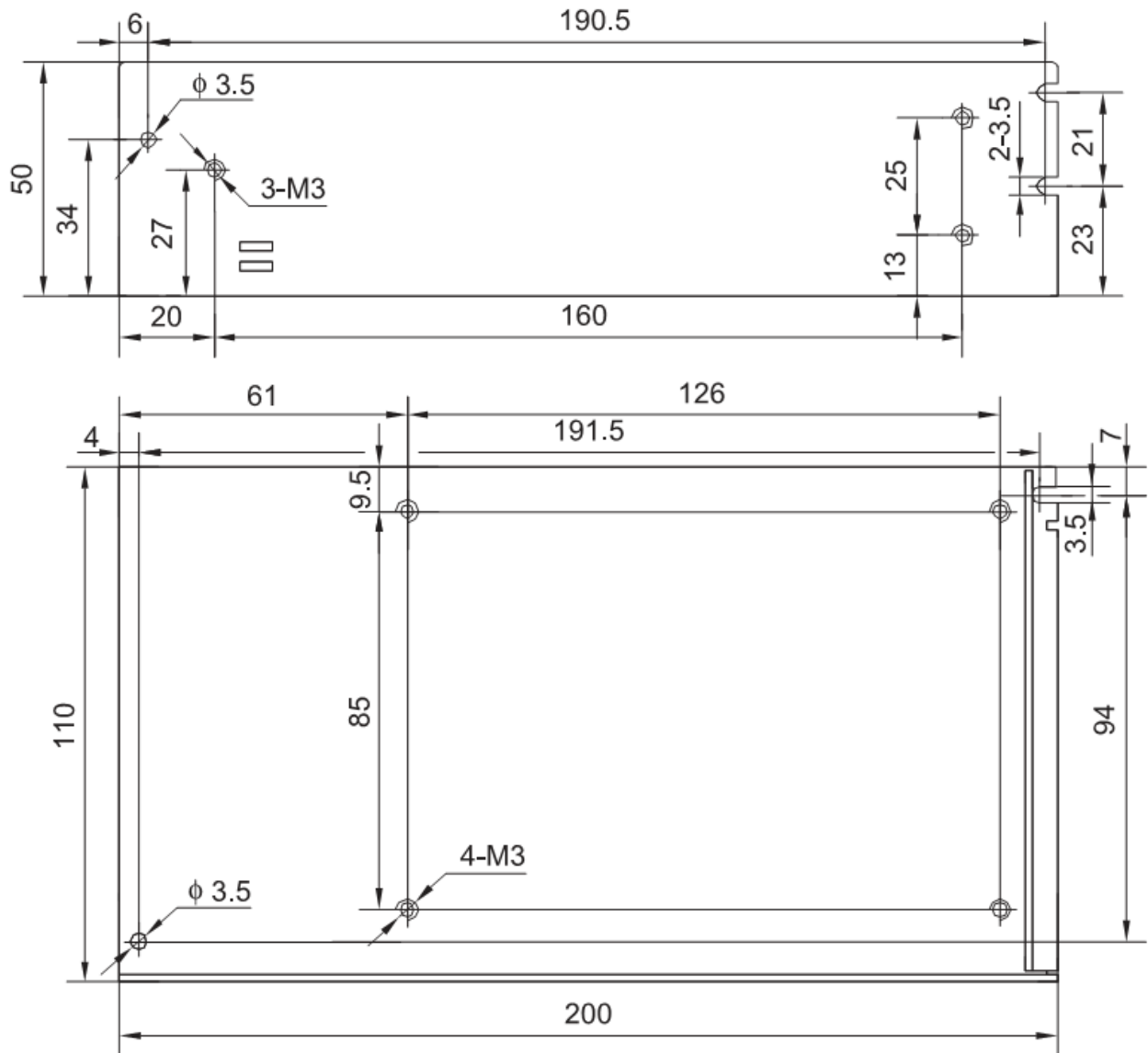
Model	DC Output		Load regul.	R&N	Efficiency
HF200W-SD**-5	5V	35.0A	0.5%	150mV	72%
HF200W-SD**-12	12V	16.7A	0.5%	180mV	76%
HF200W-SD**-24	24V	8.4A	0.5%	200mV	80%
HF200W-SD**-48	48V	4.2A	0.5%	200mV	84%

\*\*means DC input voltage, such as 24, 48, 110, etc.

公司地址：北京市西西南大街 86 号  
电 话：010 66035767; 66020482  
传 真：010 66070752

网 址：<http://www.fc99.com>  
E-MAIL：[fc1@fc99.com](mailto:fc1@fc99.com)  
邮 编：100034

安装图:





## FC40W(DC-DC)



- High reliability
- Built-in EMI filter
- 100% full load burn-in test
- Protections: overload/ short circuit
- 1 year warranty

DC input voltage .....	24VDC, 48VDC, 110VDC
Line regulation (full load) .....	$\leq \pm 0.5\%$
Load regulation .....	$V_1: \leq \pm 0.5\%$ , $V_2, V_3: \leq \pm 3\%$ (with regulators) $\leq \pm 6\%$ (without)
Output voltage adjust range .....	single output: $\pm 10\%$ , multi-output: $V_1: \pm 5\%$
Output overload protection .....	110~150%
Withstand voltage .....	I/P-O/P: 1.0KVDC/1min; I/P-F/G: 1.0KVDC/1min O/P-F/G: 0.5KVDC/1min
Isolation resistance .....	$> 100M\Omega @ 500VDC$
Operating temp. & humidity .....	$-10^{\circ}C \sim +50^{\circ}C$ , 20%~90%RH (non condensing)
Storage temp. & humidity .....	$-20^{\circ}C \sim +85^{\circ}C$ , 20%~95%RH (non condensing)
Safety standards .....	design refer to LVD
EMC standards .....	design refer to EN55022, EN61000-4
Cooling method .....	convection

Model	DC Output		R&N	Efficiency
HF40W-SD**-5	5V	8.0A	80mV	70%
HF40W-SD**-12	12V	3.3A	120mV	72%
HF40W-SD**-24	24V	1.6A	150mV	74%
HF40W-DD**-A	5V	0.5~4.0A	100mV	70%
	12V	0.0~2.0A	150mV	
HF40W-DD**-B	15V	0.2~2.0A	150mV	70%
	-15V	0.0~1.5A	150mV	
HF40W-TD**-A	5V	0.5~3.5A	100mV	67%
	12V	0.1~1.5A	150mV	
	-12V	0.1~1.0A	150mV	

\*\*means DC input voltage, such as 24, 48, 110, etc.

公司地址: 北京市西西南大街 86 号  
 电 话: 010 66035767; 66020482  
 传 真: 010 66070752

网 址: <http://www.fc99.com>  
 E-MAIL: [fc1@fc99.com](mailto:fc1@fc99.com)  
 邮 编: 100034

安装图:

